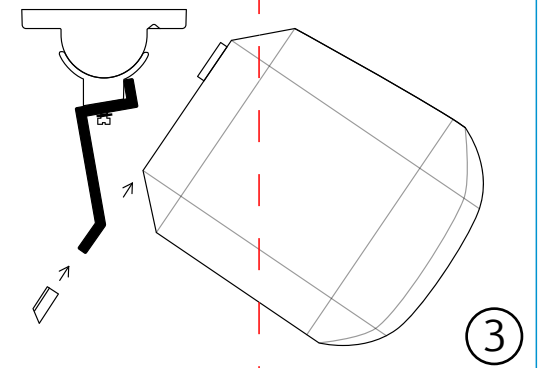
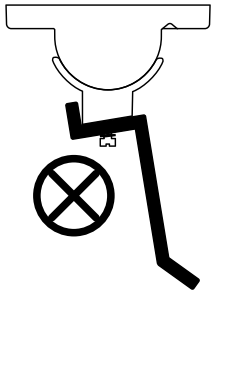
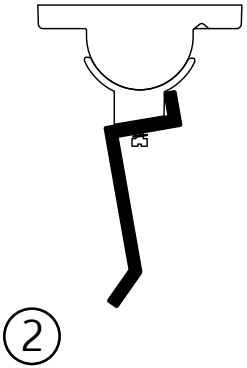
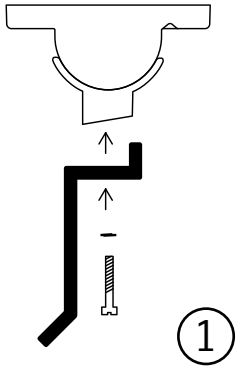
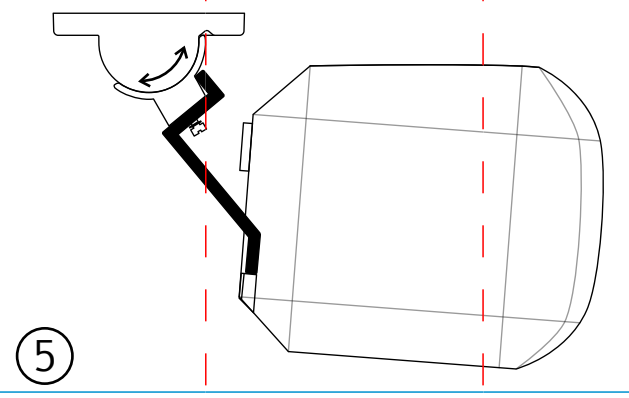
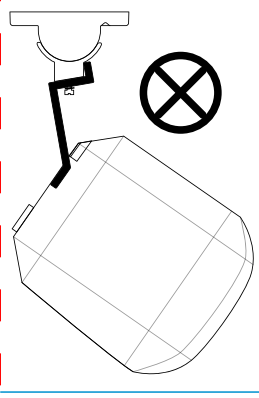
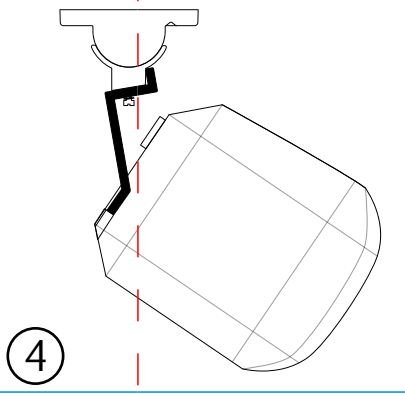


**AParte**  
MASK2-BRACKET

**A**  
FITTING MANUAL



**AParte**  
FITTING MANUAL



**END**

--- Broken line