

Loudspeaker
SMS6.3



Getting Started

Safety info

- Please read this manual thoroughly before using it. Following the instructions in this manual will enable you to obtain optimum performance and listening enjoyment from your new Speaker System. Please retain this manual for future reference.
- Onkyo corp. and ODS corp. will not be responsible for damages resulting from improper installation and/or usage of this product.

! This product is intended for commercial/professional use. It should be installed only by a specially-trained technician.

Features

- Lo-Z / Hi-Z compatible (8 ohms / 70V / 100V), with selectable power taps by rotary switch.
- Spatial mixing of direct sound and reflected sound to create a spacious sound field.
- Very powerful and uplifting sound, but tuning that doesn't interfere with conversation.
- Sophisticated design, down to the back-style, to blend in with the beautiful space.

Package Contents

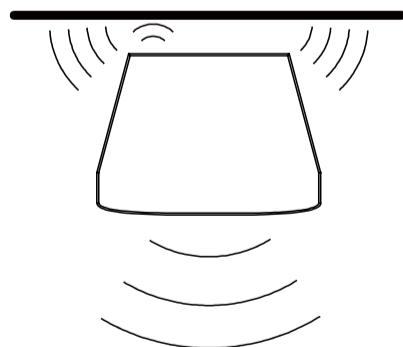
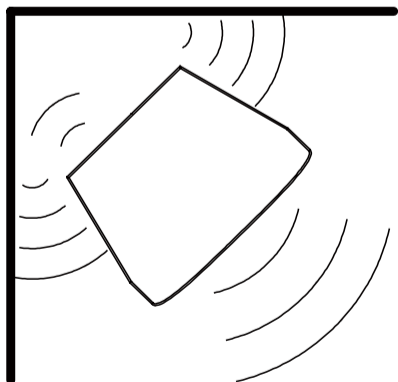
- Loudspeaker x 1
- Screw (M6) x 4
- Instruction Manual (This document) x 1
- Important safety instructions x 1
- Warranty card x 1

Loudspeaker cables are not included.

Installation

Selecting the location

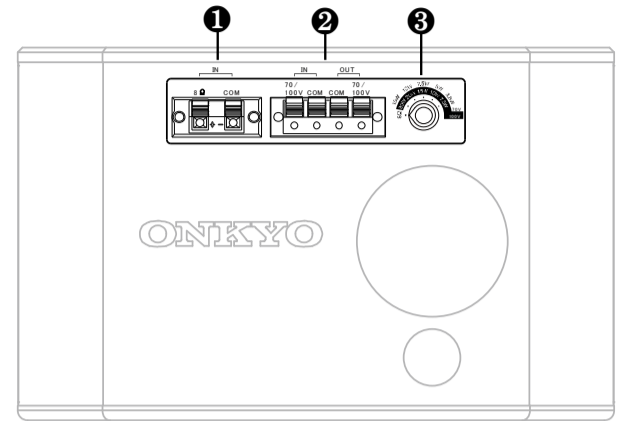
It is recommended that this unit to be installed near to a wall or at the corner. The sound emitted from the back-tweeter will be reflected by the wall or from the corner and will be combined with the sound emitted from the front speakers. This Back and Front speaker layout is designed to give you the best music experiences.



Names and functions of each parts

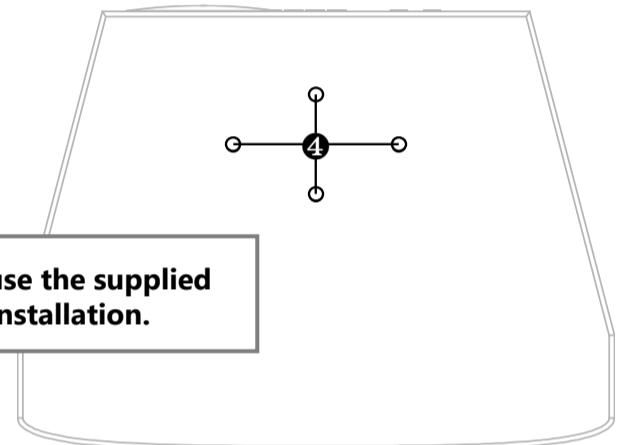
Back

- ① **SPEAKER IN** For Lo-Z connection.
- ② **SPEAKER IN / OUT** For Hi-Z connection.
- ③ **POWER TAP SELECTOR** For selection of input power and/or impedance.



Top

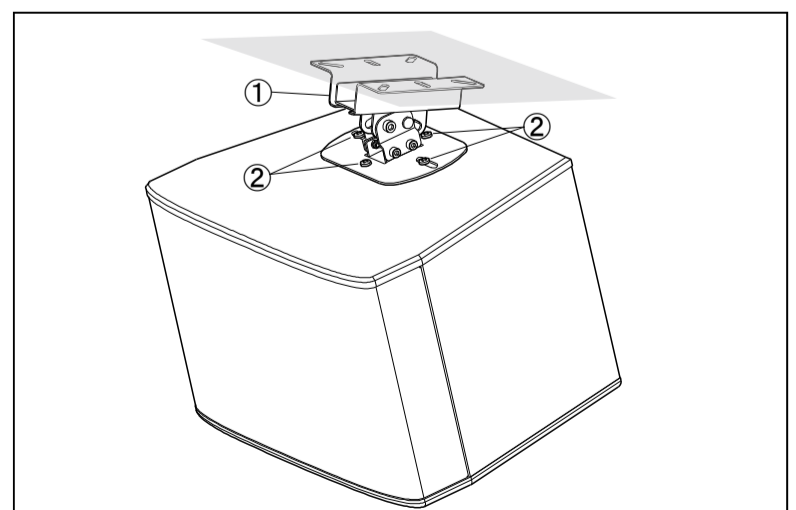
- ④ **SCREW HOLE for MOUNT BRACKET**
For commercially available mount bracket to install SMS6.3 to the ceiling.
(M6 screw hole x 4)



Installing to the ceiling

- ! Attach the speaker to the ceiling using commercially available mounting brackets.**
Make sure the strength of the mounting ceiling panel can easily support this loudspeaker's weight.
For details, refer to the instruction manual of the mounting bracket used.

- ① Firmly attach the mount bracket to the ceiling with screws.
- ② Attach the speaker to the mount bracket with the supplied M6 screws.
- ③ Optimize the angle of the speaker by using the mount bracket's adjustor.



Recommended mount brackets (commercially available)



- Hi-Tech Forum KHP-75SH
- M.M.K. MSB-DS1
- Ace of Parts SWB-101

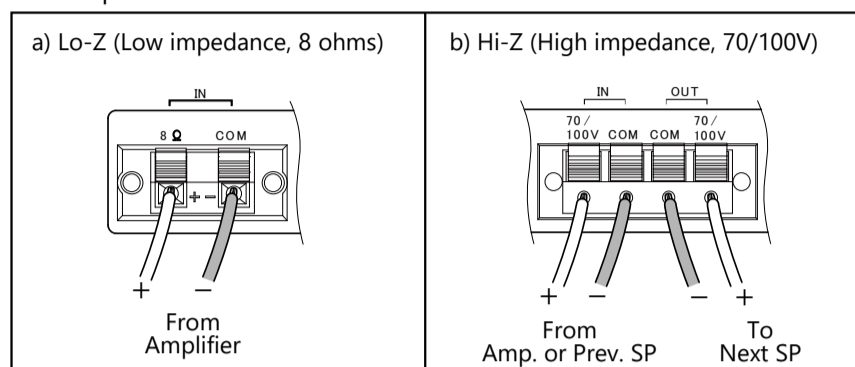
When using another bracket, check the screw hole position on the Dimensions and select the appropriate bracket.

Connecting

Connecting the cable

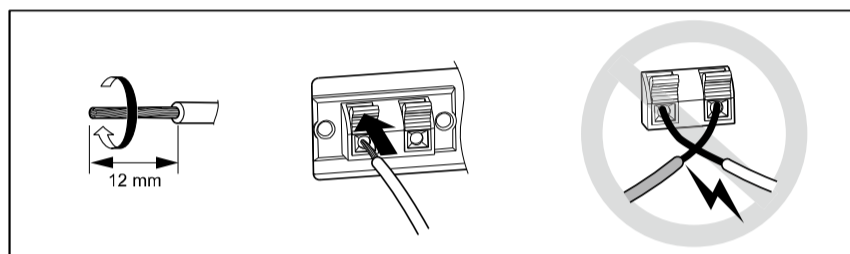
! Before making any connections, turn off the amplifier and unplug the AC power cord. Not doing so may result in damage to your system.

① There are two types of cable connection methods, Lo-Z and Hi-Z. Select one of the connection method. Connecting both will cause damage to the amplifier.



- Be sure to check the impedance of the amplifier as well.

② After twisting the core wires of the speaker cable firmly, insert the core wires into the terminal while pushing the lever of the speaker terminal.



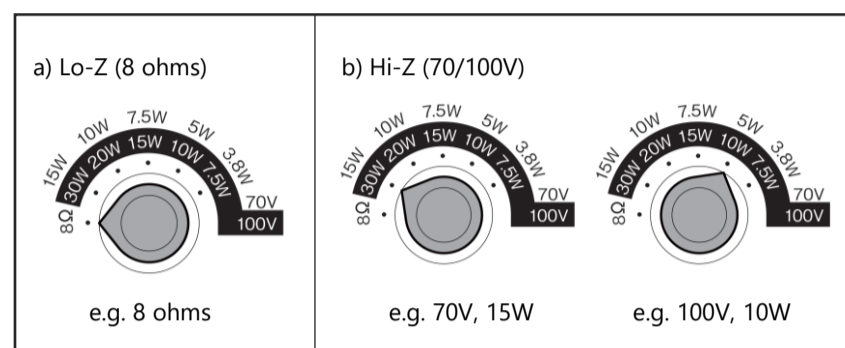
- Try pulling lightly on the speaker cable to check if it is securely connected.
- Do not connect more than one cable to one terminal hole.
- Connect so that the core of the speaker cable does not protrude from the terminal.

Selecting the power tap

! Turn off the amplifier power before selecting the power tap switch. For Hi-Z (70 /100V) connection, make sure that the total power of all connected speakers does not exceed the rated output of the amplifier.

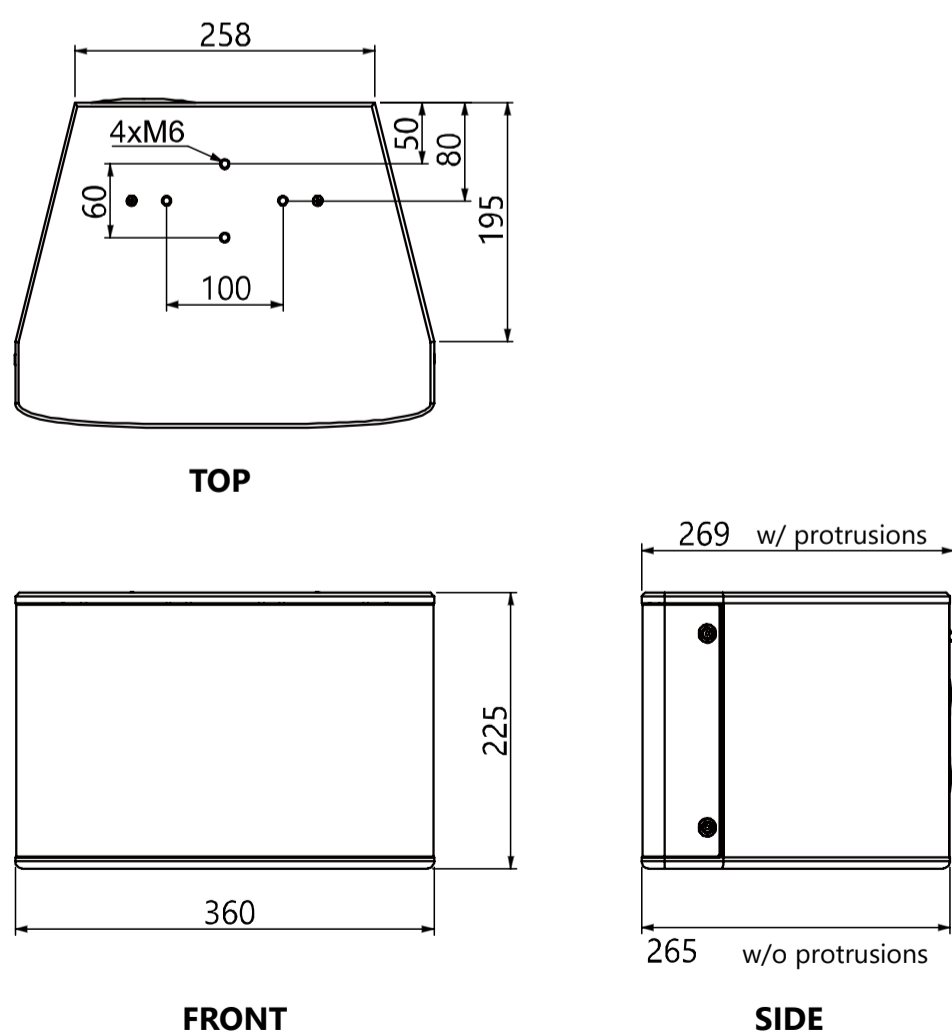
e.g.

- In case of the 100W amplifier, you can connect up to 10 speakers with 10W setting.
- If you connect 12 speakers to the 100W amplifier, choose the power tap switch to 8.33W or less (=7.5W or less) .



Specifications, etc.

Dimensions in mm



Specifications

Model name	SMS6.3	
Loudspeaker system	2-Way with bass reflex	
Unit size	16cm woofer x 1, 5 cm tweeter x 2	
Impedance	8 ohms	
Power taps	100V	30 - 20 - 15 - 10 - 7.5 W
	70V	15 - 10 - 7.5 - 5 - 3.8 W
Input power	pink noise	50 W
	program	100 W
SPL at 1 W / 1 m	*2	81 dB/W/m
Frequency range	*1*2	40 Hz - 20 kHz(-10dB)
Dimensions (W x H x D)	W360 x H225 x D265 mm *3	
Net weight	5.7 kg	
Terminal type	push-type speaker terminal	
Magnetic shield	no	

*1 w/ protrusions *2 Semi-free space *3 w/o protrusions
Specifications and features are subject to change without notice.

Company names, product names and trademarks are property of their respective owners.

Imported in the EU by;
Pioneer & Onkyo Europe GmbH
Gutenbergstrasse 3,
D-82178 Puchheim, Germany

ODS Corporation
Keio Kanda Suda-cho Bldg. 8F,
2-5 Kanda Suda-cho,
Chiyoda-ku, Tokyo 101-0041 Japan

<https://biz.ods.co.jp/page/intl>

