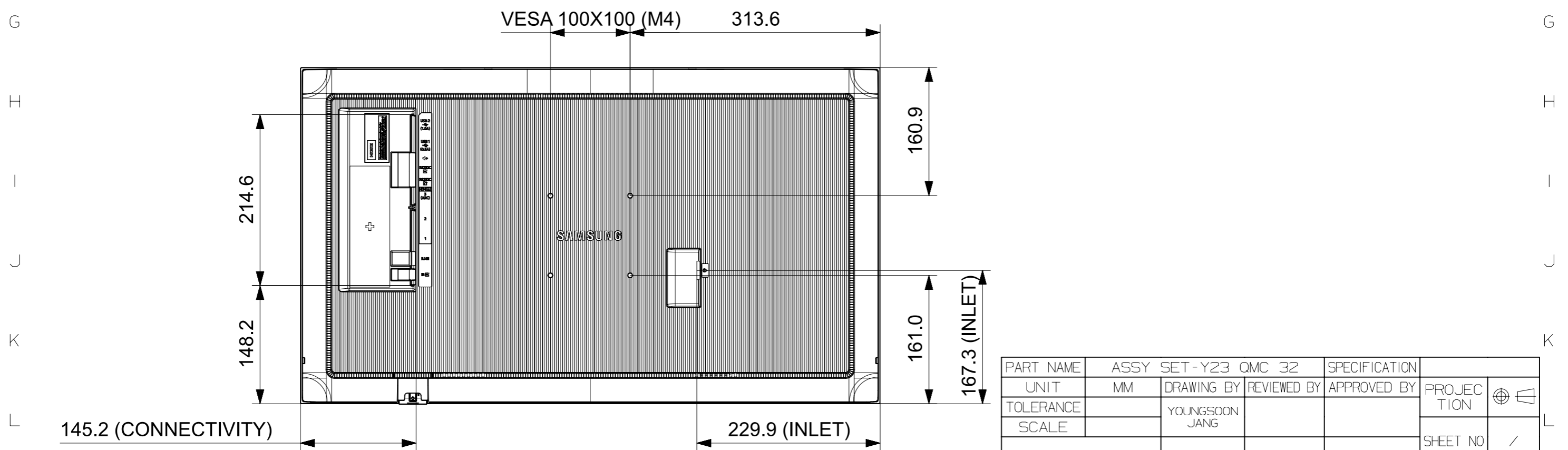
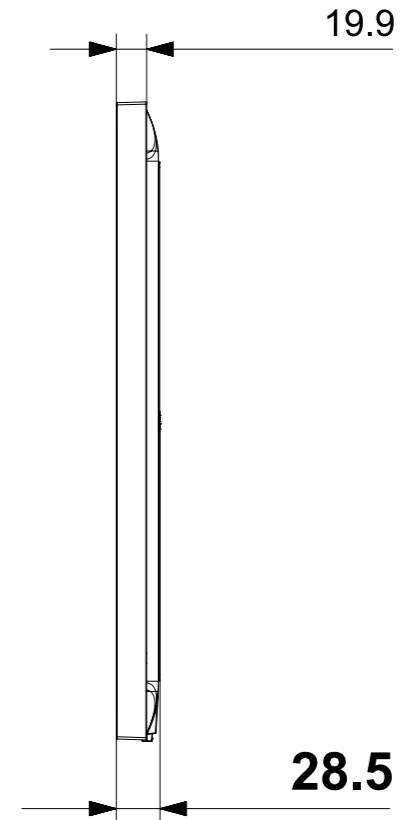
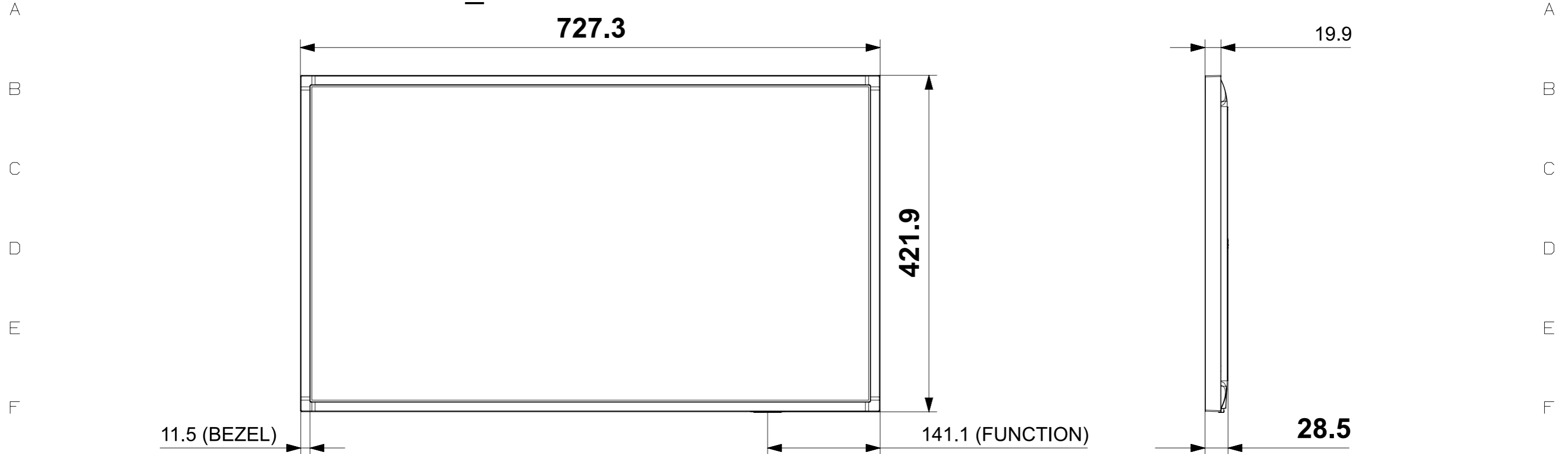


QMC 32" SET DIMENSION_230731

Rev. No			
ED	CODE	RECORD	REMARK



PART NAME	ASSY SET-Y23 QMC 32			SPECIFICATION	
UNIT	MM	DRAWING BY	REVIEWED BY	APPROVED BY	PROJECTION
TOLERANCE		YOUNGSOON JANG			⊕
SCALE					SHEET NO /
	ELECTRONICS	CODE No.			DWG. Rev