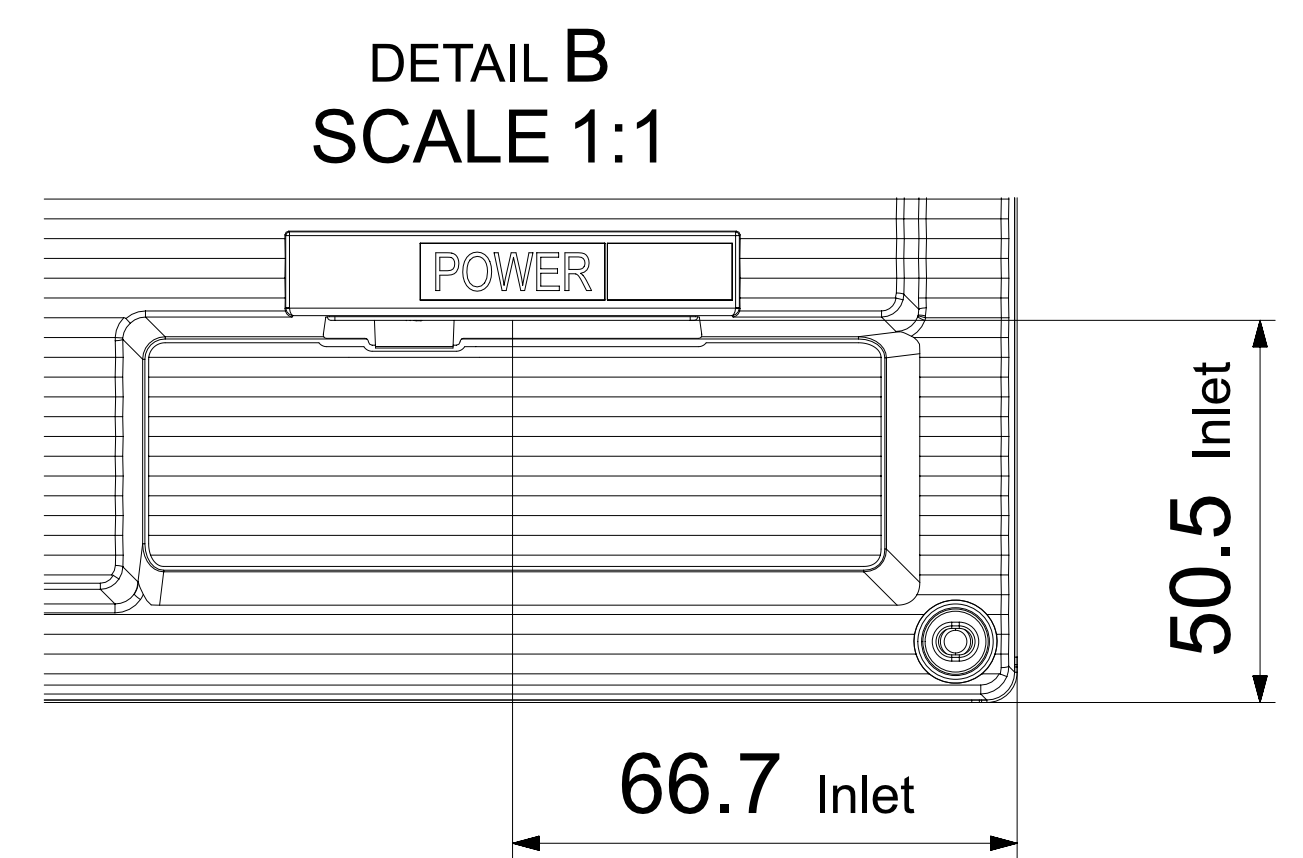
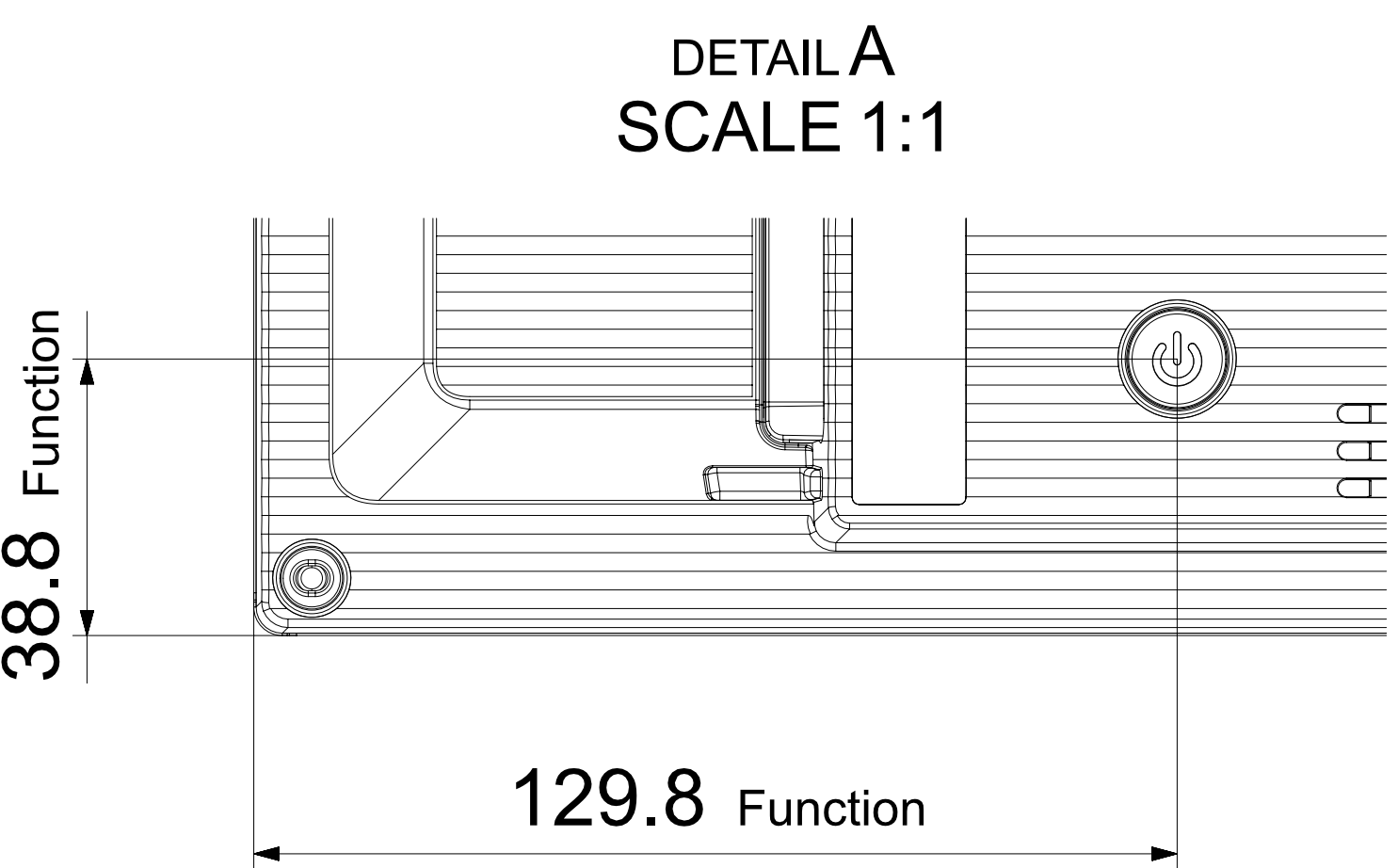
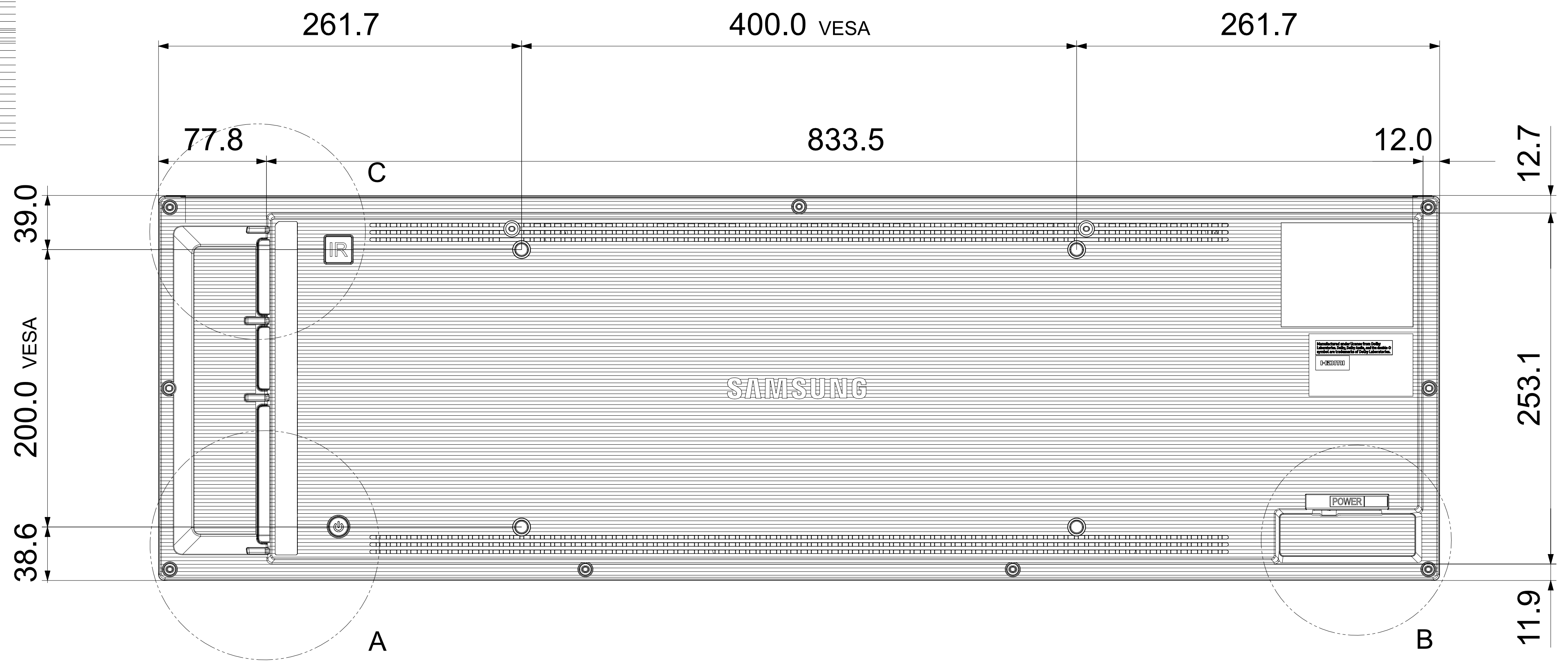
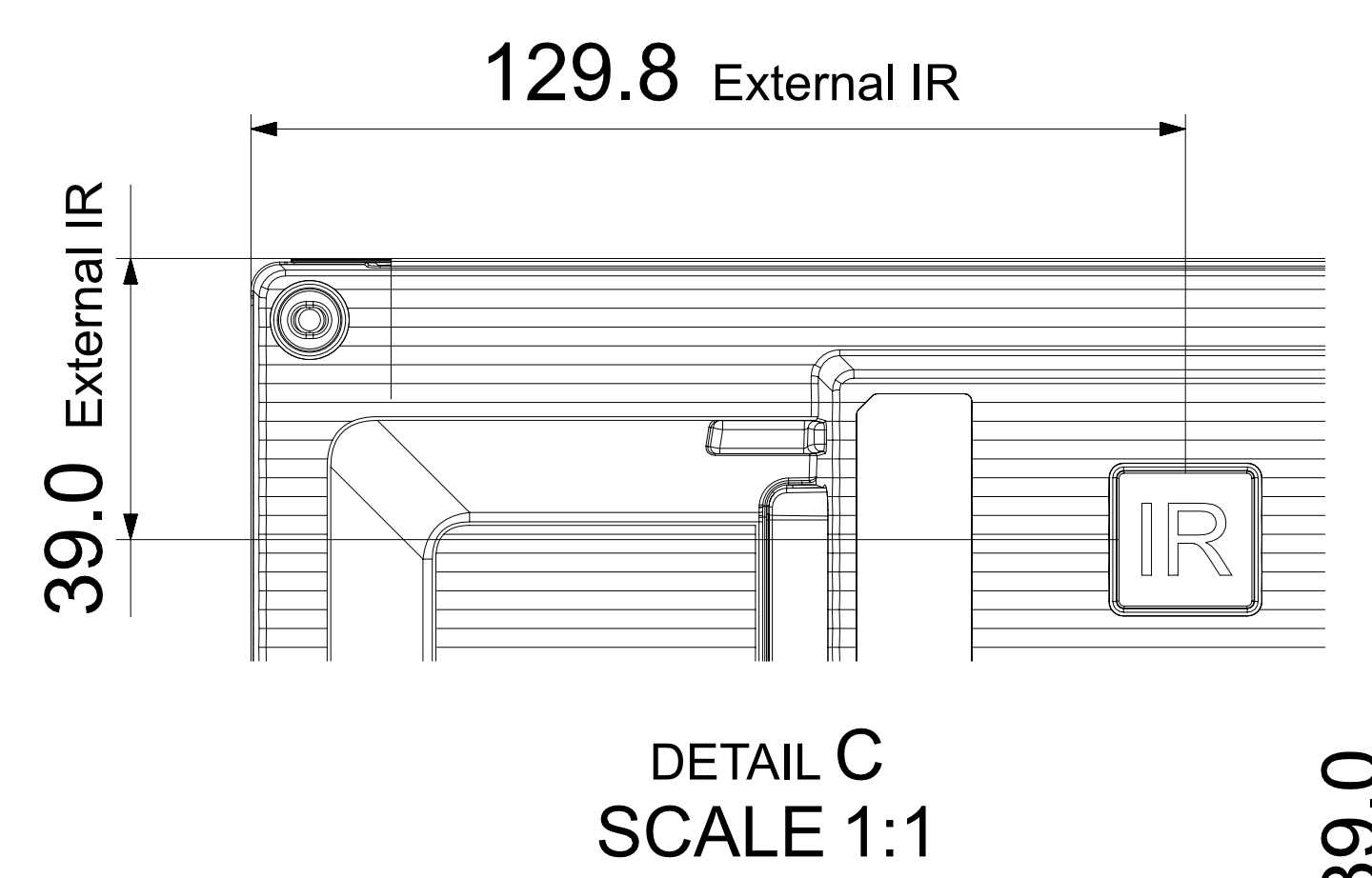
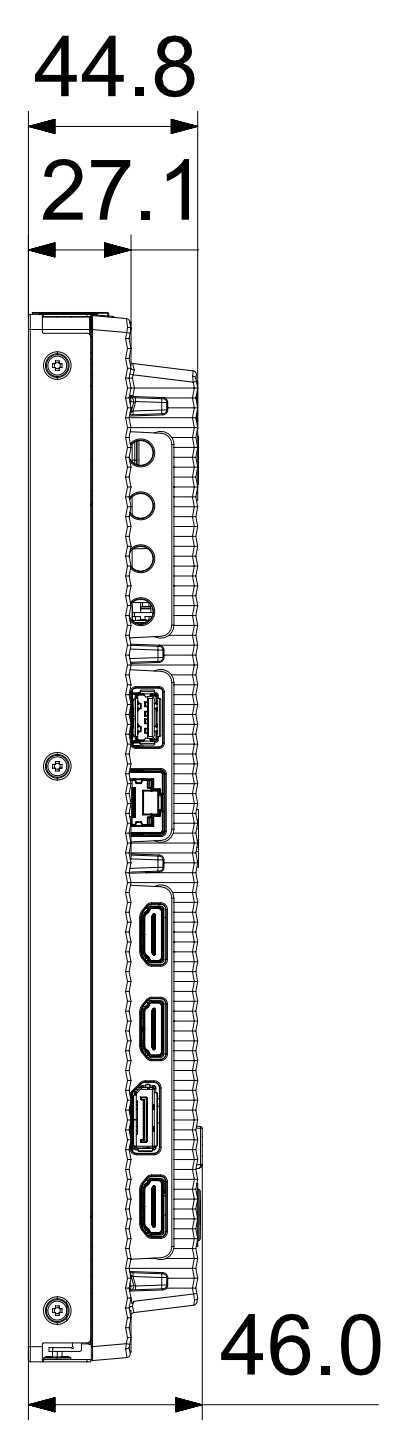


This drawing is property of SDC. Use or copy of this drawing without proper permission of the appropriate technical document managing department is prohibited. Copying with the threshold of substances which are specified in 00A-2009

Rev. No	32	33	34
ED	CODE	RECORD	REMARK

37SHR SET DIMENSION_Rev. 3.0_201005



PART NAME	ASSY SET_YIG_SHT_37	SPECIFICATION	
UNIT	MM	DRAWING BY/REVIEWED BY	APPROVED BY
TOLERANCE			
SCALE			
SHEET NO. /		PROJECTION	
CODE No.		DWG. Rev	